

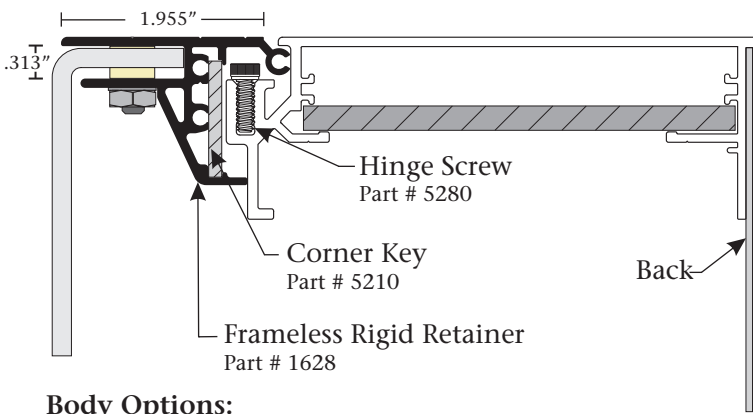


NEW PRODUCT UPDATE: Frameless Rigid Retainer

June 2013



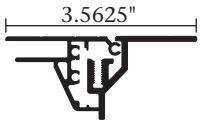
Part Number	Part	Length	Finish
1628	Frameless Rigid Retainer	24'-5"	Mill Finish



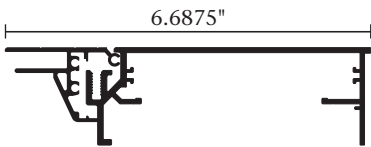
Features & Benefits

- Allows for a frameless face appearance.
- Can be used with all hingeable Architectural bodies.
- Corner key slot provides ease of assembly and added structure.
- Allows for a hingeable face to easily access lamps for service.

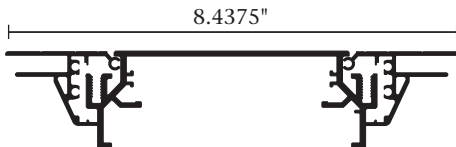
Body Options:



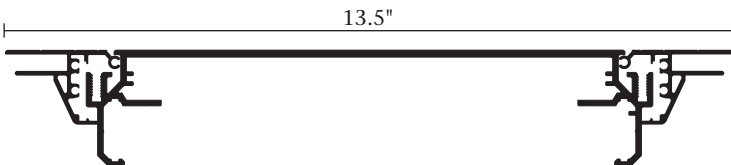
Series 7/12 Retro Body
Part # 1600



Series 7 SF Hinge Body
Part # 1602



Series 7 Hinge Body
Part # 1592



Series 12 Hinge Body
Part # 1612

Frameless Rigid Retainer
Part # 1628

